

# STEP-LITE

THE OBVIOUS CHOICE



# STEPLITE

## THE OBVIOUS CHOICE

Steplite has been developed specifically to provide a safe reliable light source to identify hazardous pedestrian areas, such as stairs, or change in elevation where insufficient lighting may cause people to trip or stumble over steps they couldn't properly see.

Steplite will provide a clearly defined outline of a step or steps, by providing a bar of light along the top edge of the step.

The bulbs are long life, low current (1/2 watt per bulb) in fact, steplite has a guarantee of 25 years against bulb failure.

Steplite is available in stock lengths of 24"-36"-60" each unit may be plugged into another of any dimension to create any length to the closest foot, minimum being 24". Cables are available to connect steplite to a transformer, and to interconnect various lengths together where steps are a few feet apart.

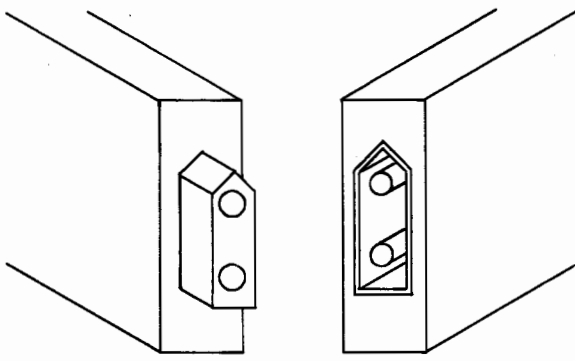
### TECHNICAL SPECIFICATIONS

Dimensions	0.5" x 1.5" (127mm x 381mm) (lengths 24" - 36" - 60")
Options	Other lengths available on special order.
Material	Lexan or Acrylic Plexiglas.
Finish	Translucent white
Lamp Spacing	4" (10cm)
Voltage	24 volts
Options	115 Volt units available on special order.
Power consumption	1.5 Watts per foot.
Interconnections	By molex male/female connectors at each end.
Options	Interconnecting cables in 4' - 8' - 12' lengths. Transformer connecting cable in 6' length.

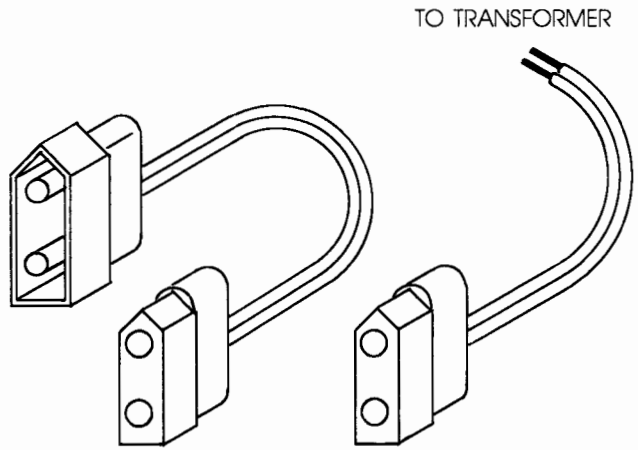
### ORDERING DETAIL

(Order by number, specifying voltage and length)

Steplite	Type SL 105 Volts 24 or 115 Length 24" or 36" or 60"
Example	SL 105/24/36 ——— Inches Volts Type
Connecting Cable	CC 72
Interconnecting Cable	IC 48 (number indicates length in inches, options, 96" or 144")



CONNECTION  
DETAIL



INTERCONNECTING  
CABLE

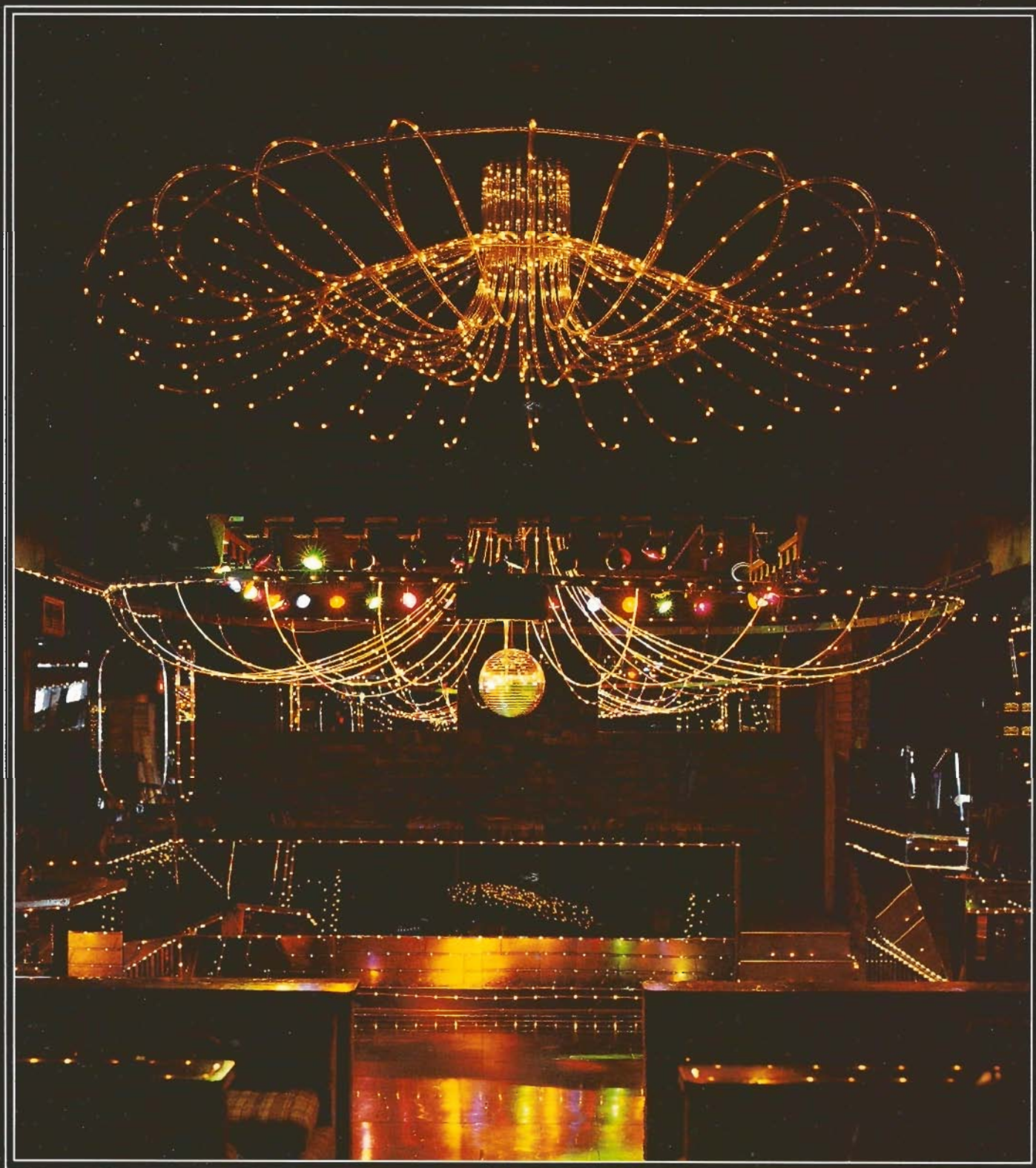
CONNECTING  
CABLE

REPRESENTED IN YOUR AREA BY

Made in Canada by LIGHTLINE MFG. INC.  
North Vancouver, B.C., Canada  
Telephone (604) 986-2268

# TRACERLITE

THE ULTIMATE CHOICE



# TRACERLITE

THE ULTIMATE CHOICE

The ideal choice for spectacular Discotheque lighting effects.

The .1" wall thickness makes it the obvious product for routing into dance floors or laying under plexiglass.

Overhead uses include ornate clusters and chandeliers. Used in conjunction with mirrors it creates multiple images.

Other applications include: Window displays. Awnings. Foyer lighting, and borders for display signs, etc.

## FEATURES.

- \* Rugged .1" wall thickness resists breakage and kinking.
- \* 25 year guarantee against lamp burnout **and tube breakage.**
- \* Excellent workability, Butyrate can be formed into sharp kink free bends without heat, providing the ambient temp. is 60F.
- \* Complies with class 2 electrical wiring regulations.
- \* Waterproof.
- \* Clear lamps.

## OPTIONS.

- \* Coloured bulbs.
- \* Male/female military spec. multipin connectors, bonded into tube.
- \* Lexan tube.
- \* Custom configurations.

## TECH. SPECS.

Voltage:	24v
Current:	120mA per circuit
Lamp spacing:	10 ft. length 5"
M.S.C.P.:	1 per circuit
Circuits:	4/length 1-2-3-4 chase sequence
Lead identity:	1=brown, 2=red, 3=orange, 4=yellow, common=green

## WARRANTY.

Dynatec Manufacturing Co. Warrants that TRACERLITE is free from any manufacturing defects. And further guarantees that it will perform as specified for a minimum of 25 years from date of purchase. Should a failure occur within this period Dynatec will provide replacements through its local dealer. Providing the product was installed and operated within the specifications.

**DYNATEC MANUFACTURING CO., 348 E. Esplanade, North Vancouver, V7L 1A4 CANADA.**

**Distributed in your area by:**